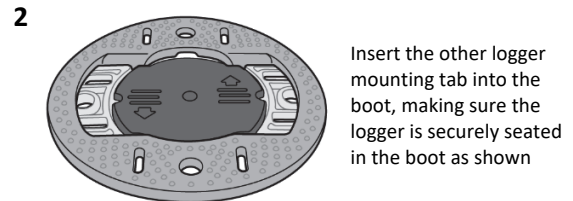
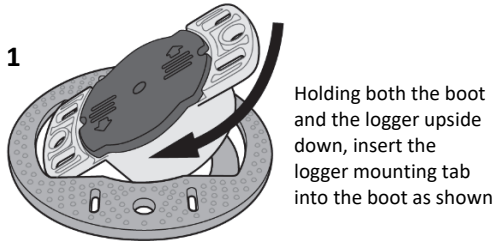
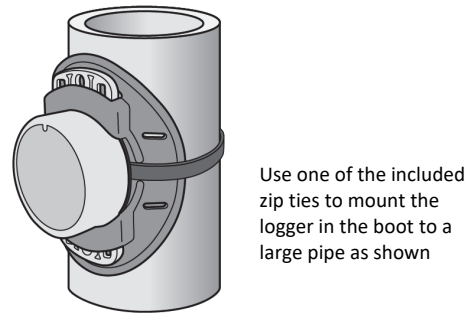
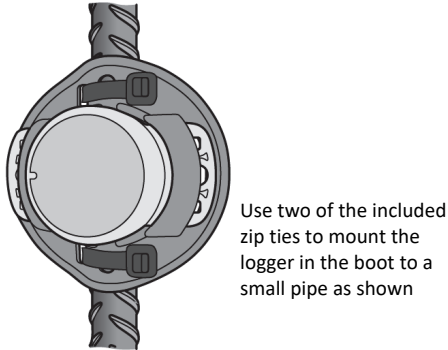


**Installing the Logger in the Mounting Boot**

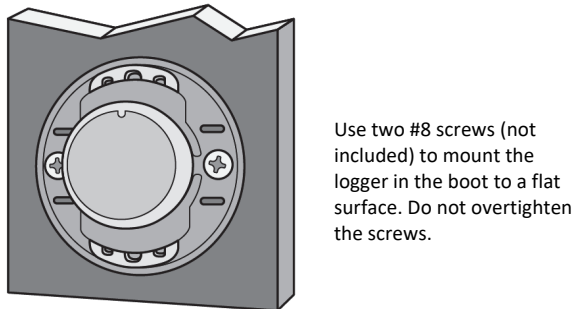


**Mounting the Logger in the Boot to a Pipe**



24847-A MAN-BOOT-MX2201-2202

**Mounting the Logger in a Boot to a Flat Surface**



For detailed mounting and deployment guidelines, refer to the logger manual. Go to [www.onsetcomp.com/support/manuals/21536-mx2201-mx2202-manual](http://www.onsetcomp.com/support/manuals/21536-mx2201-mx2202-manual) or scan the code at left.