

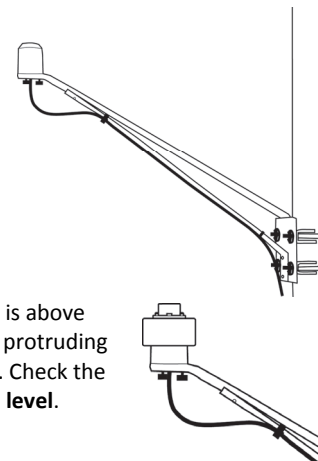
## PAR and Silicon Pyranometer Smart Sensor (S-Lix-M003) Quick Start

### Connecting to a Station

1. Stop the station if it is logging
2. Plug the smart sensor jack into an open smart sensor port on the station.
3. Start logging. See the station manual at [www.onsetcomp.com/support/manuals](http://www.onsetcomp.com/support/manuals) for details on operating stations with smart sensors.

### Mounting the Smart Sensor

- Use the light sensor mounting bracket (M-LBB) to mount the sensor to a pole or tripod.
- Position the sensor on the top of the bracket with the cable running through the slot in the bracket. Using the two screws, attach the sensor to the bracket through the holes on both sides of the slot. Do not completely tighten the screws until the sensor is level.
- Position the bracket so it faces the equator to minimize shading. Attach the bracket to the mast with U-bolts, mounting it high enough on the mast to avoid shading the sensor.
- Place the light sensor level (M-LLA) on the sensor (use a step ladder or other secure platform if it is above eye level). Adjust the height of the thumbscrews to level the sensor (start with the thumbscrews protruding about 1/16 inch from the bracket). Once the sensor is near level, tighten the Philips-head screws. Check the level and repeat steps if necessary. Once the screws are tight and the sensor is level, **remove the level**.



### Deployment Guidelines

- Small errors in alignment can produce significant errors. Be certain that the sensor is mounted level.
- Mount the light sensor where it will not be in a shadow.
- If possible, avoid locating the sensors in dusty locations. Dust, pollen, and salt residue that collect on the top of the sensor can significantly degrade accuracy.



For more information about the S-LIA-M003 smart sensor, refer to the full product manual. Scan the code at left or go to [www.onsetcomp.com/support/manuals/s-lia](http://www.onsetcomp.com/support/manuals/s-lia).



For more information about the S-LIB-M003 smart sensor, refer to the full product manual. Scan the code at left or go to [www.onsetcomp.com/support/manuals/s-lib](http://www.onsetcomp.com/support/manuals/s-lib).