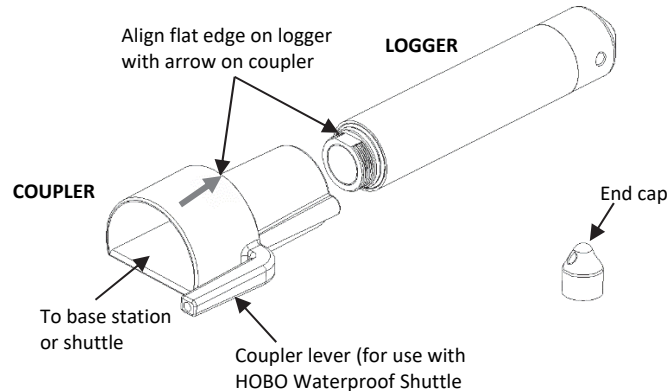


HOBO® U20 Water Level (U20-001-0x and U20-001-0x-Ti) Logger Quick Start

Before you begin: Barometric pressure data at the site where the logger is being deployed is required for accurate water level data. Using a HOBO logger for recording barometric pressure data is recommended.

- 1 Open the HOBOWare® Pro software. (Install it first if necessary; download it from www.onsetcomp.com.)
- 2 Attach the USB Optic Base Station (BASE-U-4) or HOBO Waterproof Shuttle (U-DTW-1) to a USB port on the computer (refer to the hardware manual at www.onsetcomp.com/resources for details).

- 3
 - a. Unscrew the black plastic end cap from the logger by turning it counter-clockwise.
 - b. Attach the coupler (COUPLER2-B) to the base station or shuttle.
 - c. Insert the logger into the coupler with the flat edge on the logger aligned with the arrow on the coupler label. Gently twist the logger to be sure that it is properly seated in the coupler (it should not turn). If you are using the HOBO Waterproof Shuttle, briefly press the coupler lever to put the shuttle into base station mode. It may take a few seconds for the new hardware to be detected by the computer.



- 4 From the Device menu in HOBOWare, select Launch. Make sure both the Abs. Pressure and Temperature sensors are selected (temperature is required for temperature compensation of pressure). Select any other logger settings and click the Start button. Logging will begin based on the settings you selected.
- 5 Deploy the logger, making sure the end cap is in place. Take water level reference readings at the beginning and end of each deployment. When reading out the logger, follow steps 1–3 and select Read Out from the Device menu in HOBOWare or use the Waterproof Shuttle. Refer to the HOBOWare Help for complete details on reading out and viewing data. For full deployment details, see the logger manual at www.onsetcomp.com/resources/documentation/12315-u20-manual.



For more information about this logger, refer to the product manual. Scan the code at left of go to www.onsetcomp.com/resources/documentation/12315-u20-manual.